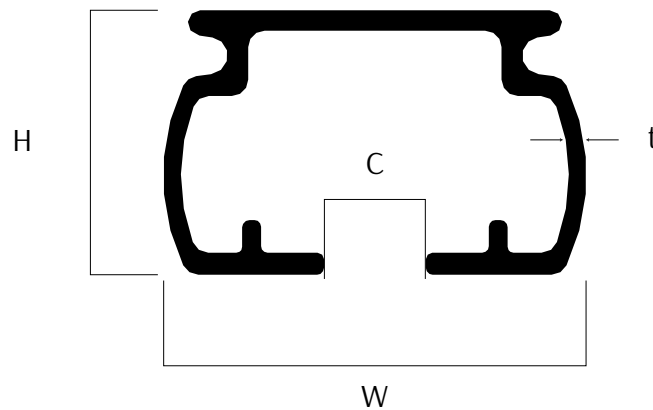




DPFH M-Track - Window Curtain Track Specifications

Introducing the M-Track, an Aluminum Press Extruded, Powder Coated, "C" Section Window Curtain Channel that combines elegant design with protective properties. With its chic aesthetics and versatile functionality, the M-Track is suitable for a wide range of applications, making it the perfect choice for any window treatment project.



(All Dimensions are in millimeter.)

Length	W	H	C	T
4.58m/15ft.	25.66	16.10	6.20	1.00

Summary of Profile

Dimensions: 25.66mm(W) x 16.10mm(H)

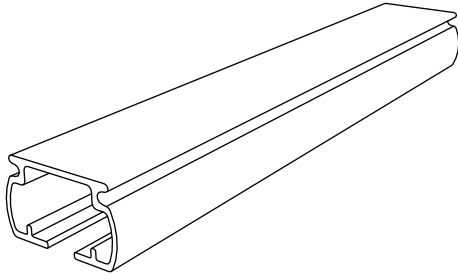
Material: Aluminium Alloy - 6063-T6 (HE9WP)

Length: 4.58m/15ft.

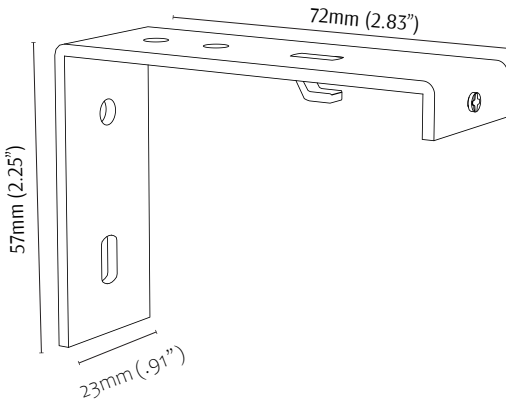
Weight: 0.248kg/m

Tensile Strength: 215MPA

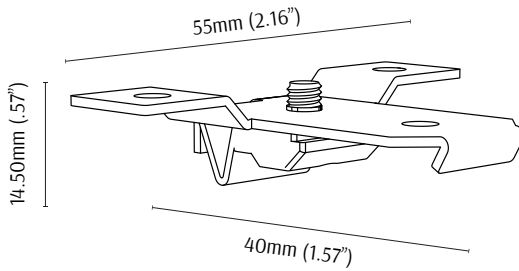
Color: Signal White, Glossy Ivory, Brown, Light Gray, Black



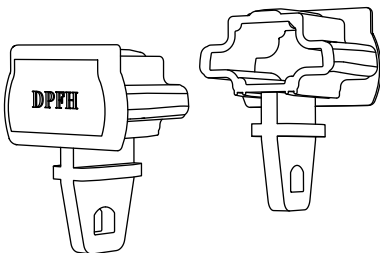
M-Track Channel (M001)
Aluminium Extruded, Powder Coated,
Functional Channel to Carry Medium-Weight Curtains.



M-Track Wall Mount (M002)
MS, Powder Coated, L-Type Wall Mount for Single Layer Curtain Fittings.



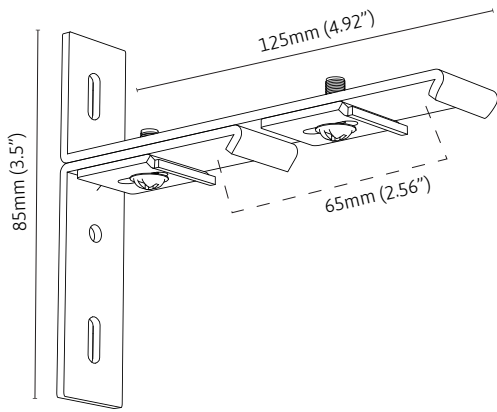
M-Track Ceiling Mount (M003)
MS, Powder Coated, Click System Fittings for Ceiling installations.



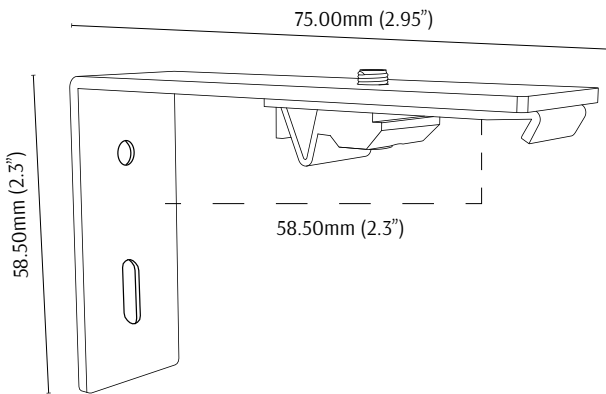
M-Track "Screw-less" End Caps (M004)
In POM Material, DPFH Screw-Less Push System End-Cap available for Quick Installation.



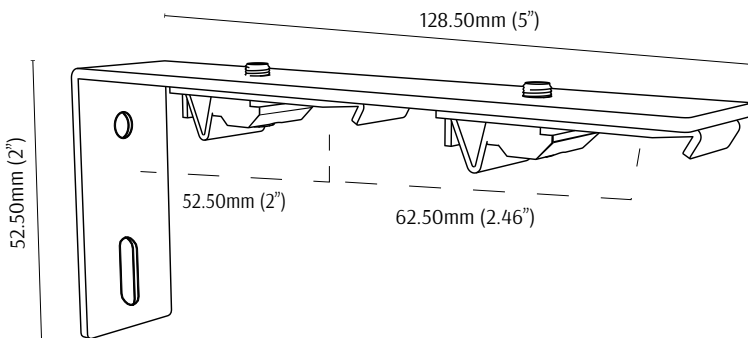
M-Track Standard Runner (M005)
In POM Material, Highly-Durable and Smooth, Curtain Track Runner for Pleat type Curtains.



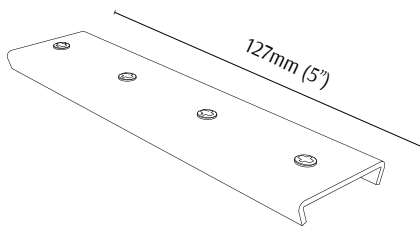
M-Track 2-Track Holder for Pleat Curtains (M006)
 MS, Powder Coated, 2-Track Wall Mount to Carry Two Medium-Weight or Lightweight Curtains Simultaneously.



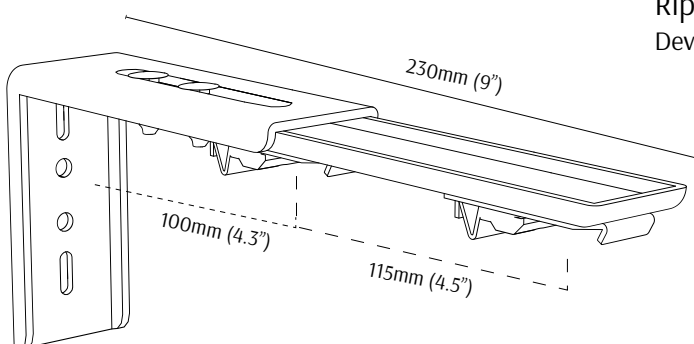
New M-Track Wall Holder (M008)
 Click System Wall Mount for Convenient Installation Purpose.



New M-Track 2 Track Holder (M009)
 Click System 2 Track Wall Mount for Convenient Installation Purpose.



M-Track Jointer (M011)
 Join Two Separate Curtain Tracks Together to Create One Long Piece.



Ripple Double Track Wall Holder for M-Track (RDH-MT01)
 Developed to carry Wave Curtains.